

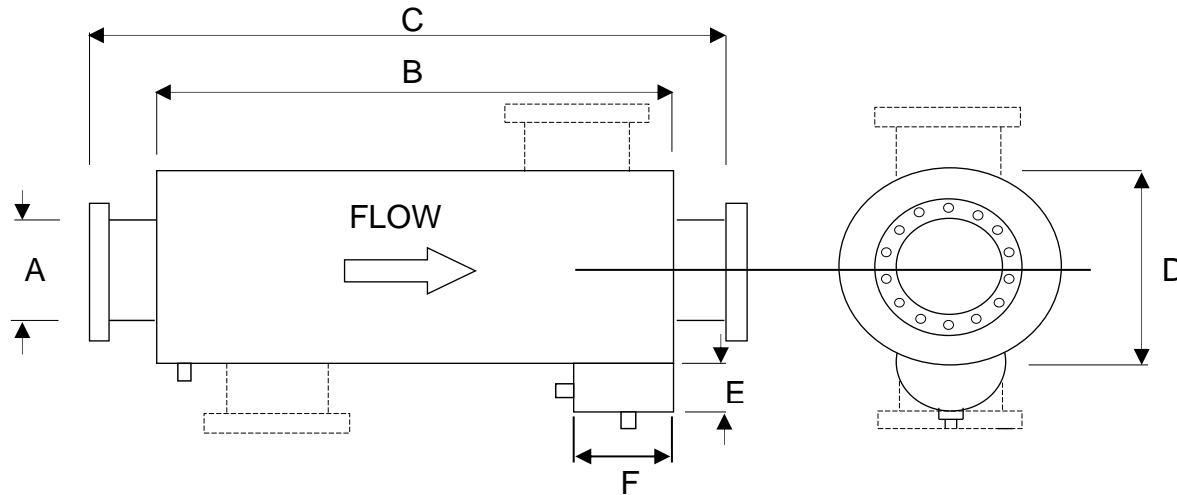


SG02/00262



SG02/55341

Super Critical Spark Arresting Silencers



SCE/SA

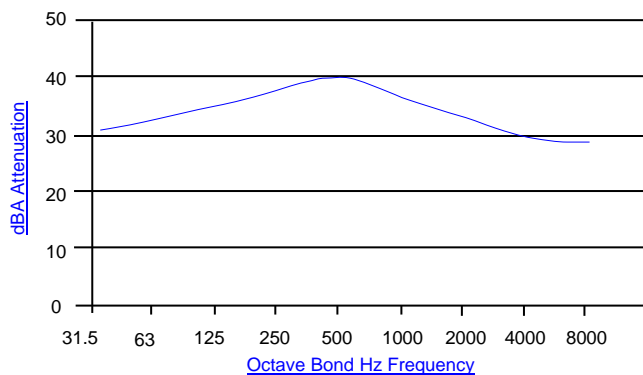
(END INLET-END OUTLET)

SCS/SA

(SIDE INLET OR SIDE OUTLET)

ØA	B	C	ØD	RAD E	F
75	1070	1240	400	65	175
100	1140	1315	450	75	225
125	1400	1575	500	75	250
150	1525	1705	600	90	275
200	1830	2040	750	100	300
250	2340	2555	850	150	375
300	2740	2960	1020	150	450
350	3300	3560	1120	155	510
400	3860	4035	1270	160	575

* Larger sizes available on request



APPLICATION

Super Critical Spark Arresting series is a high performance reactive absorptive silencer recommended for those conditions where the ambient noise levels in the environment is very low. Used particularly where stringent noise criterion is demanded. Offers excellent broadband attenuation. For use with two and four cycle engines.

PERFORMANCE

An attenuation of up to 35dbA is attained from the outlet of SCE/SA or SCS/SA range of silencers under open-field conditions.

FEATURES

- Mild steel body with JIS 5K flanges
- Coated with heat-resistant aluminum paint (Up to 600°C)
- Can be mounted either vertically or horizontally without affecting performance
- Modifications and other sizes available upon request

EXHAUST CONTROL INDUSTRIES (S) PTE LTD

69 TECH PARK CRESCENT, SINGAPORE 638073

Tel No : 67442689 Fax No : 67472217 E-mail : ecisingapore@pacific.net.sg WEBSITE : www.eci.com.sg

* ECI is protected by local and international trademark legislations. Patent Pending.